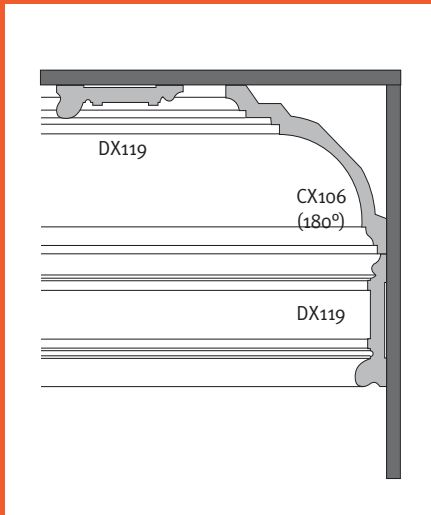




THE ORAC USER MANUAL



THE ORIGINAL

2. MITRES

2.1 setting up FB10



FB10



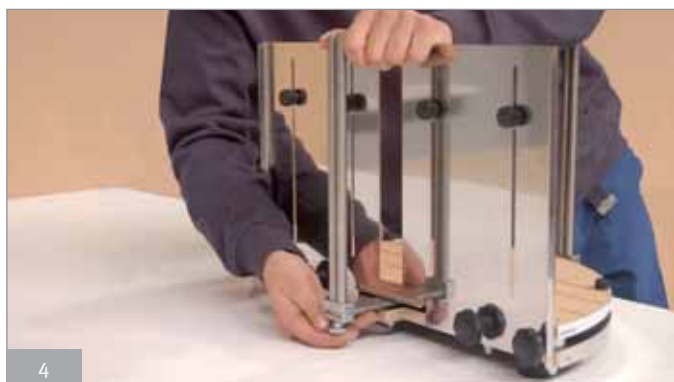
1



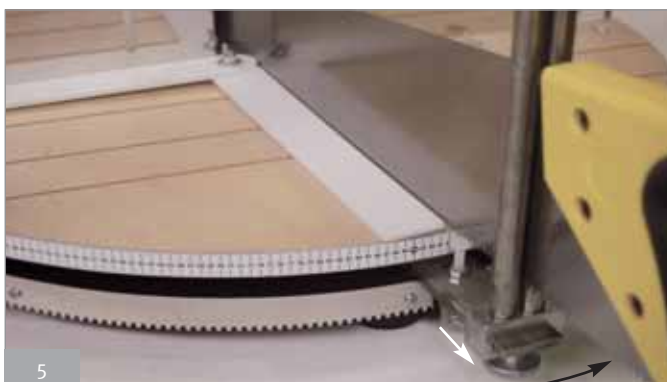
2



3



4



5



6



7