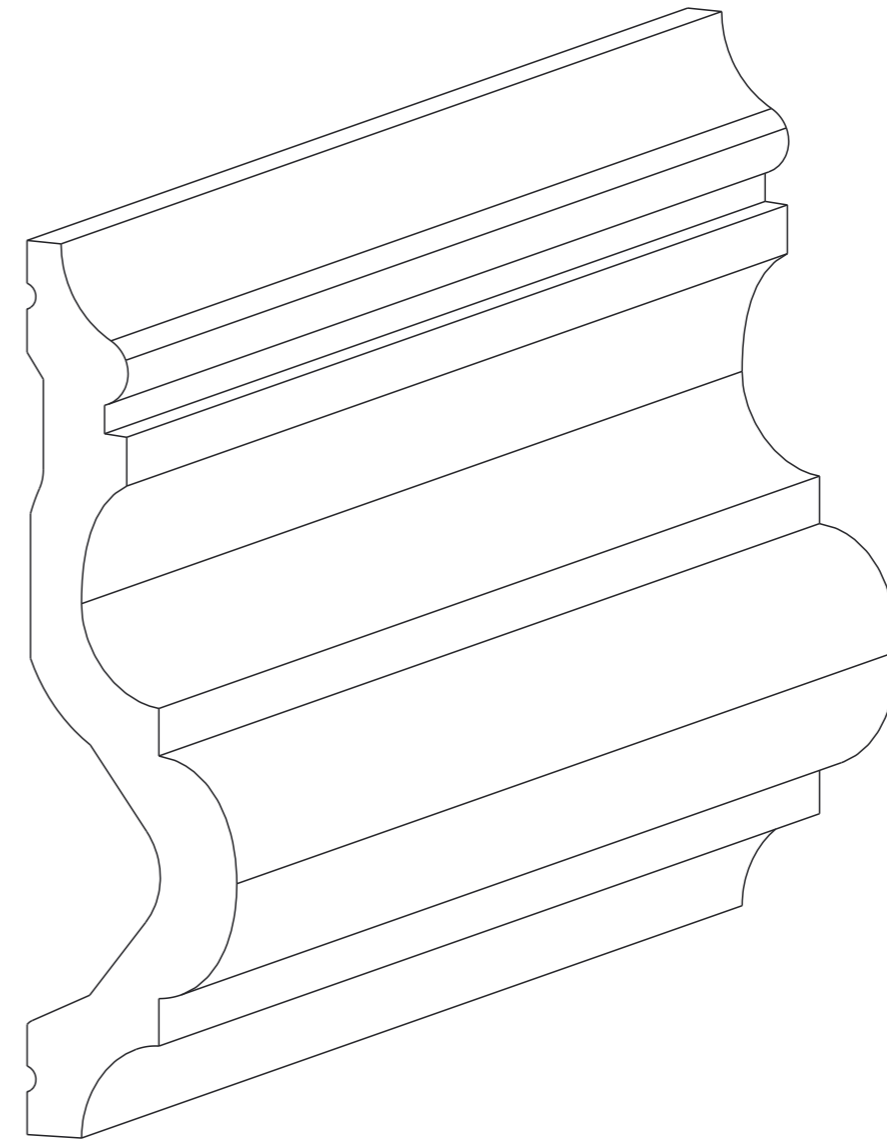
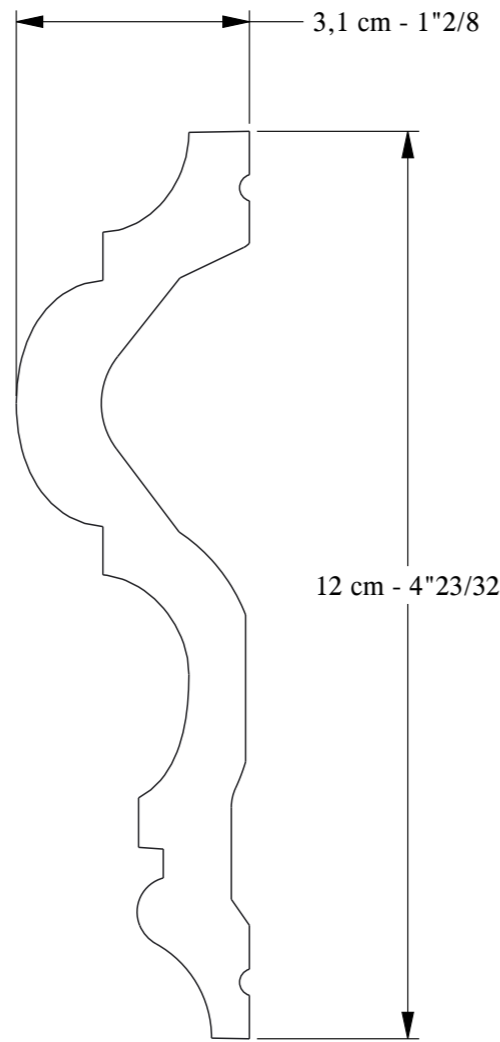


REV.	MODIFICATION	DATE	DRAWN BY	RELEASE DATE
-	-	-	-	-



Density :	----	kg /dm ³
Volume :	1,325	dm ³ /m
Weight :	----	kg /m
Paint surf :	16,648	dm ² /m

Orac n.v.

Biekorfstraat 32
8400 Oostende - Belgium
Tel +32 (0)59 80 32 52
Fax +32 (0)59 80 28 10
www.oracdecor.com

All information in this document is Orac's exclusive property. It may in no case be reproduced, even partly, be communicated to a third party or used for any possible purpose without Orac's express written permission.

RoHS
 PARTS MUST BE COMPLIANT TO ROHS REGULATIONS. IF ANY NOTIFICATION ON DRAWING IS IN CONTRADICTION WITH ROHS REGULATIONS, CONTACT ORAC BEFORE DELIVERY!

All dimensions are in mm unless otherwise specified

Normal tolerances according to:

Format: A3 - Pro-Engineer
Scale: 1:1 - Sheet: 1 of 1

Drawn by :
Meys Maarten
Drawn date: 05-Nov-2008



Drawing name:

P8050 PROD CM

Material:
Remarks:

Dens: ---- kg/dm³
Mass: ---- kg

Volume: 1,325 dm³
Painted: dm²

Description:

P8050

Printed on:
26-Sep-2013

Rev: