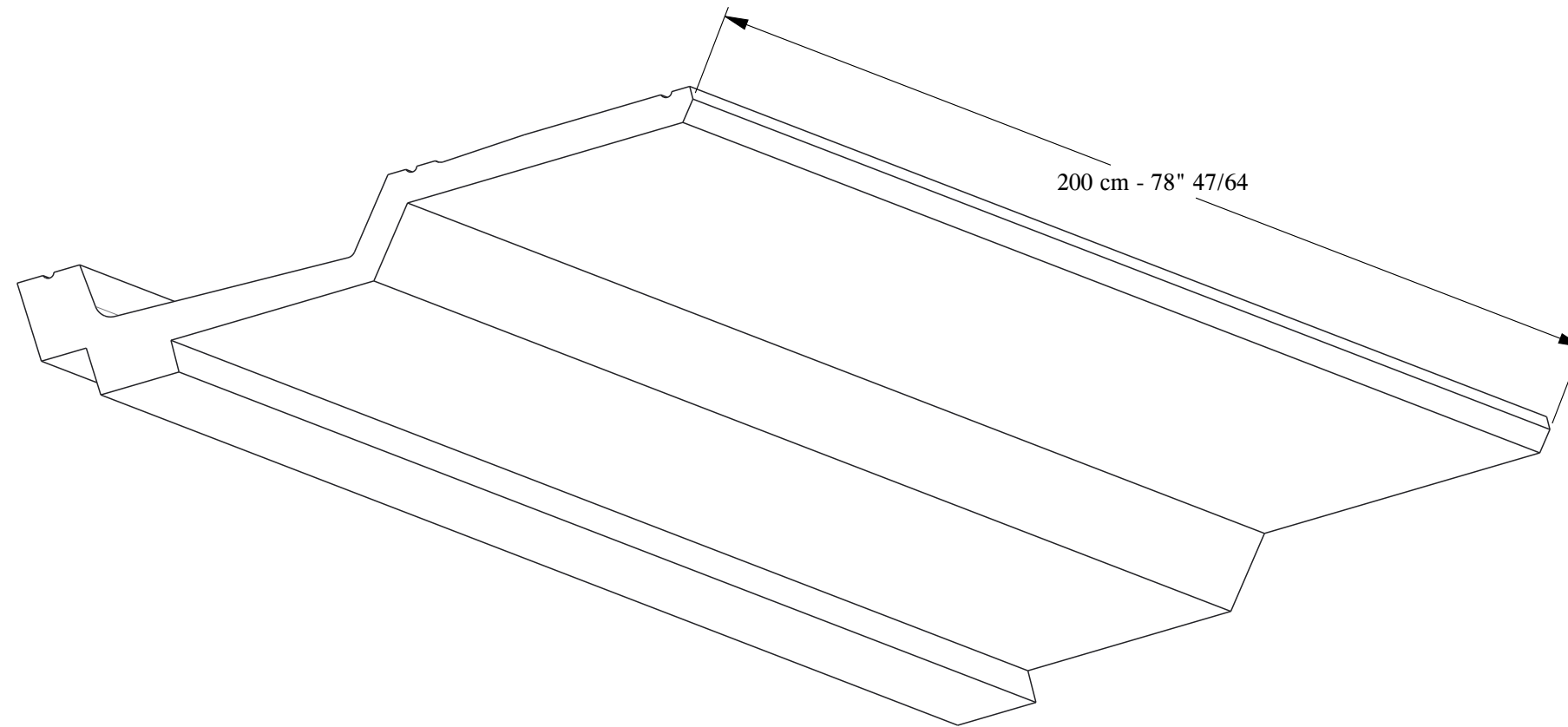
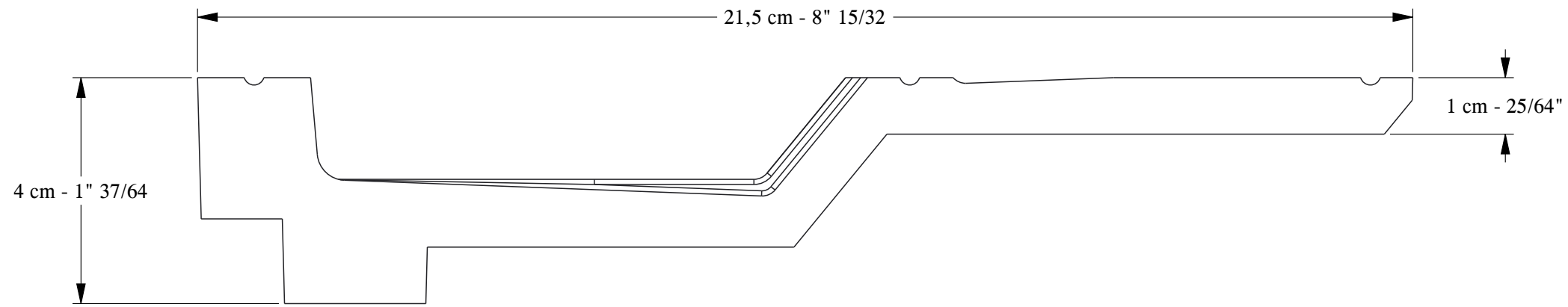


REV.	MODIFICATION	DATE	DRAWN BY	RELEASE DATE
-	-	-	-	-



<b>Orac n.v.</b> Biekorfstraat 32 8400 Oostende - Belgium Tel +32 (0)59 80 32 52 Fax +32 (0)59 80 28 10 www.oracdecor.com	<small>ROHS</small> PARTS MUST BE COMPLIANT TO ROHS REGULATIONS. IF ANY NOTIFICATION ON DRAWING IS IN CONTRADICTION WITH ROHS REGULATIONS, CONTACT ORAC BEFORE DELIVERY !	All dimensions are in mm unless otherwise specified	Normal tolerances according to:	Material: PU-200 Remarks:	Printed on: 23-Apr-2013
		Format: A3 - Pro-Engineer Scale: 1:1 - Sheet: 1 of 1	Dens: Mass:	Volume: 0,006 dm <sup>3</sup> Painted: dm <sup>2</sup>	Description: <b>C354 Product (cm)</b>
All information in this document is Orac's exclusive property. It may in no case be reproduced, even partly, be communicated to a third party or used for any possible purpose without Orac's express written permission.		Drawing name: <b>C354-PROD-CM</b>			