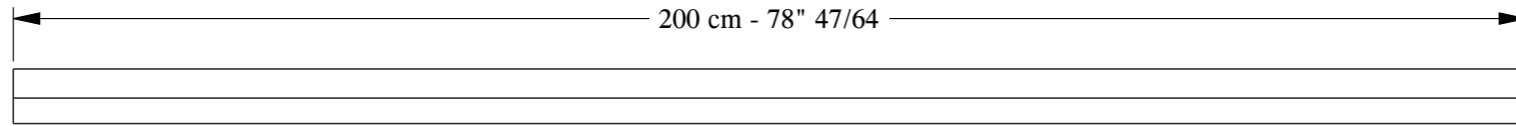
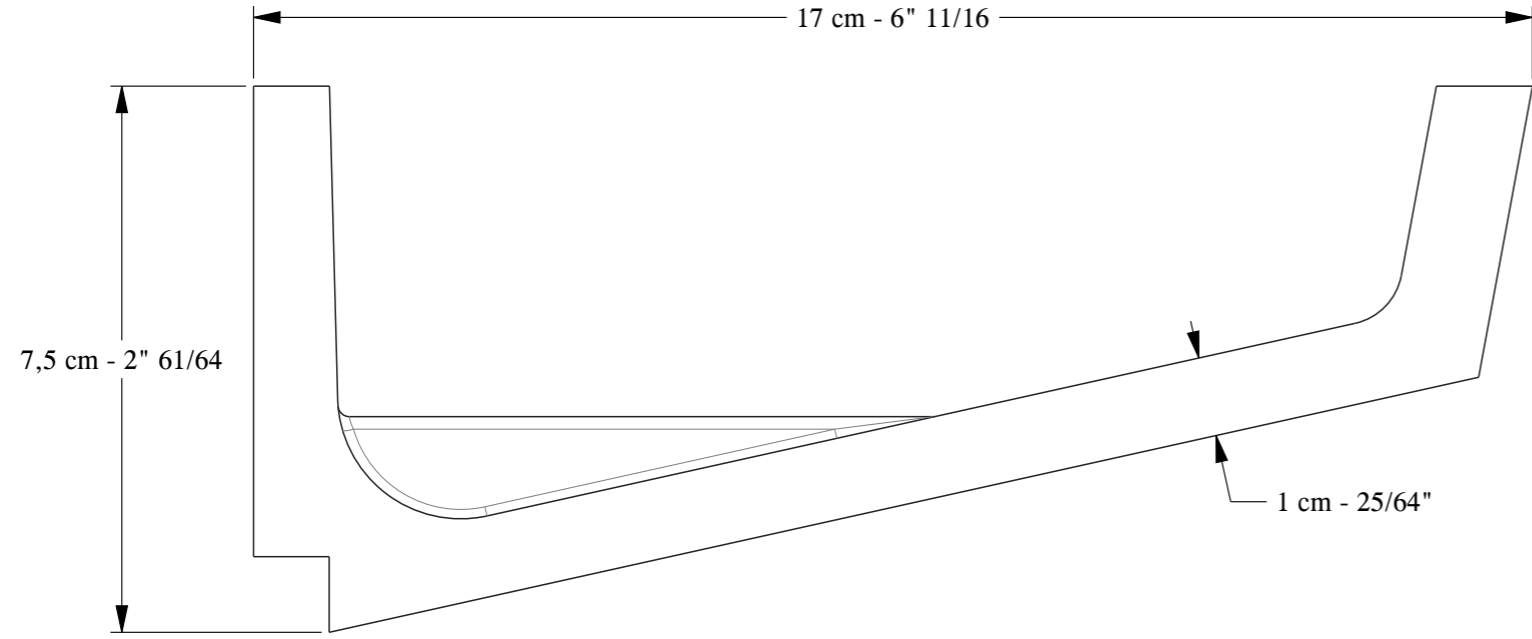
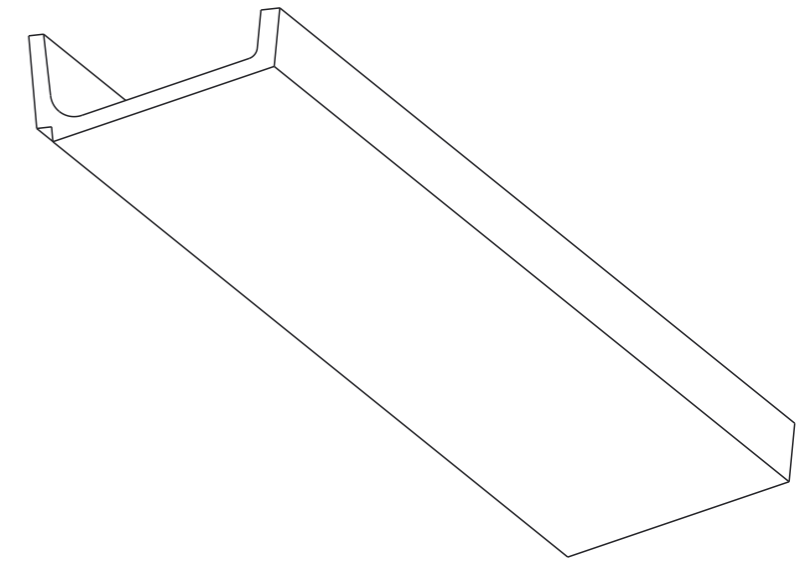


REV.	MODIFICATION	DATE	DRAWN BY	RELEASE DATE
-	-	-	-	-



SCALE 1:10



SCALE 1:5

<p>Orac n.v. Biekorfstraat 32 8400 Oostende - Belgium Tel +32 (0)59 80 32 52 Fax +32 (0)59 80 28 10 www.oracdecor.com</p>	<p>RoHS PARTS MUST BE COMPLIANT TO ROHS REGULATIONS. IF ANY NOTIFICATION ON DRAWING IS IN CONTRADICTION WITH ROHS REGULATIONS, CONTACT ORAC BEFORE DELIVERY!</p>	<p>All dimensions are in mm unless otherwise specified</p>	<p>Normal tolerances according to:</p>	<p>Material: PU-200</p>		<p>Printed on: 27-May-2013</p>
				<p>Remarks:</p>		
<p>All information in this document is Orac's exclusive property. It may in no case be reproduced, even partly, be communicated to a third party or used for any possible purpose without Orac's express written permission.</p>	<p>EUROPEAN PROJECTION</p>	<p>Format: A3 - Pro-Engineer Scale: 1:1 - Sheet: 1 of 1</p>		Dens:	Volume: 5,600 dm ³	
		<p>Drawn by : Eric Dekerf</p>		Mass: 1,120 kg	Painted: dm ²	
		<p>Drawn date: 27-05-2013</p>		<p>Description: C352 Product (cm)</p>		
<p>Drawing name: C352-PROD-CM</p>				<p>Rev:</p>		