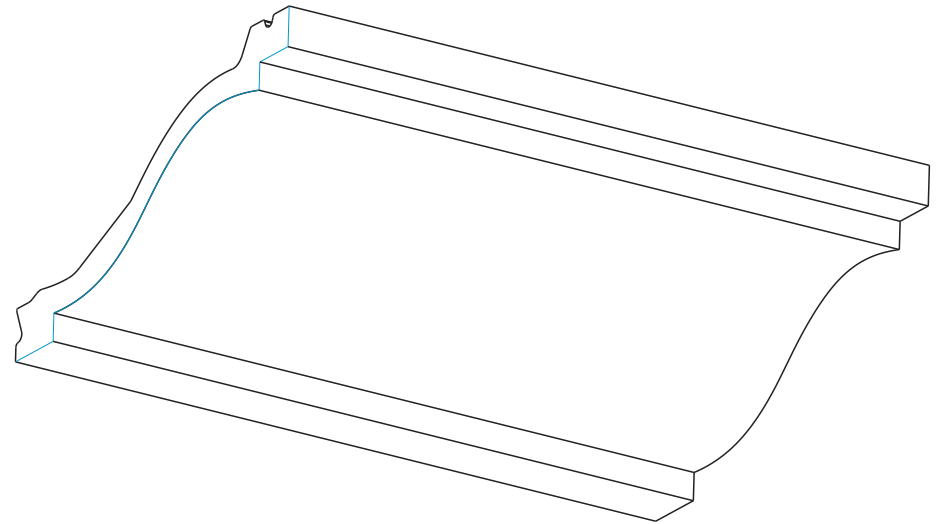
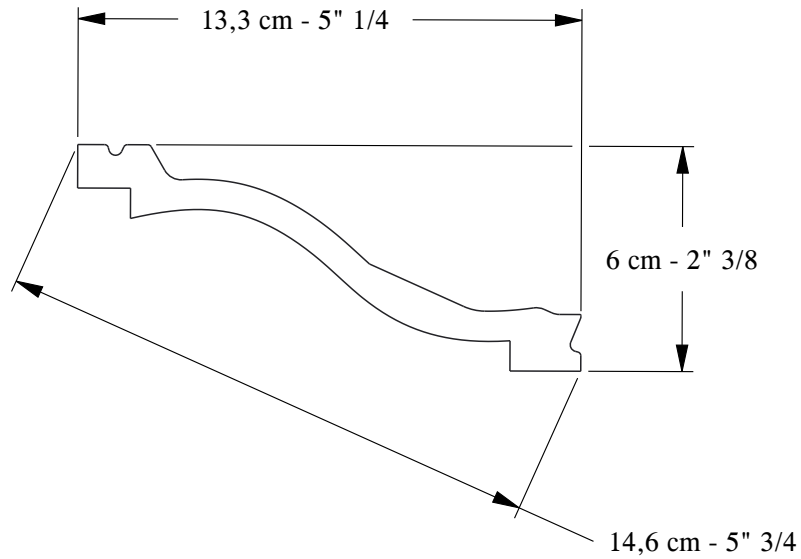


REV.	MODIFICATION	DATE	DRAWN BY	RELEASE DATE
-	-	-	-	-



Density :	----	kg /dm ³
Volume :	1,456	dm ³ /m
Weight :	----	kg /m
Paint surf :	17,077	dm ² /m

<p>Orac n.v. Biekorfstraat 32 8400 Oostende - Belgium Tel +32 (0)59 80 32 52 Fax +32 (0)59 80 28 10 www.oracdecor.com</p> <p>All information in this document is Orac's exclusive property. It may in no case be reproduced, even partly, be communicated to a third party or used for any possible purpose without Orac's express written permission.</p>	<small>ROHS PARTS MUST BE COMPLIANT TO ROHS REGULATIONS. IF ANY NOTIFICATION ON DRAWING IS IN CONTRADICTION WITH ROHS REGULATIONS, CONTACT ORAC BEFORE DELIVERY!</small>	All dimensions are in mm unless otherwise specified	Normal tolerances according to:	Material:		Printed on: 25-Sep-2013
				Remarks:		
		Format: A4 - Pro-Engineer Scale: 1:2 - Sheet: 1 of 1	Density: ---- kg/dm ³		Volume: 1,456 dm ³	
			Mass: ---- kg		Painted: dm ²	
Description:				<p style="text-align: center; font-size: 24px;">C331</p>		
Drawn by : D. Vandebuerie		Drawn date: 11-Jun-2008				
Drawing name:				<p style="text-align: center; font-size: 24px;">C331 PROD CM</p>		
<p style="text-align: center;"><small>EUROPEAN PROJECTION</small></p>					Rev:	