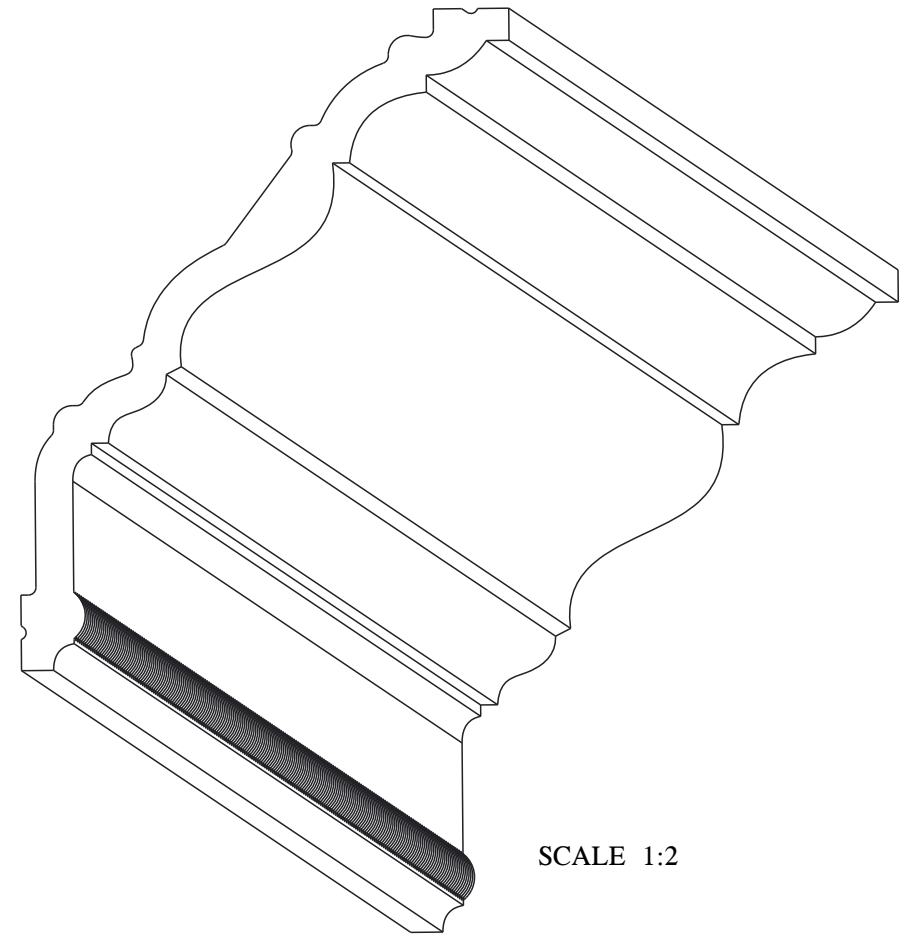


SCALE 1:2



SCALE 1:2

Please beware: Product is visualized in this drawing without ornamentation

|   |   |   |   |   |
|---|---|---|---|---|
| — ROHS —<br>Parts must be compliant to rohs regulations. If any modification on drawing is in contradiction with ROHS regulations, contact Orac before delivery!  | <h2 style="margin: 0;">Orac</h2> <p style="margin: 0;">Biekorfstraat 32<br/>8400 Oostende - Belgium<br/>Tel +32 (0)59 80 32 52<br/>Fax +32 (0)59 80 28 10<br/>www.oracdecor.com</p> | All dimensions are in mm unless otherwise specified | <b>Part name: C219-PROD-MM</b><br>Part description: |   |
|   | <b>Drawing properties</b><br>Drawn with: Creo 2.0<br>Page size: A4<br>Page scale: 1:2<br>Sheet nr: 1 / 1<br>Projection:   | <b>Material: PUROTOUCH</b><br>Remarks:              |   | Drawn by: Anton Smolko<br>Drawn on: 15-Jul-2014 |
| All information in this document is Orac's exclusive property. It may in no case be reproduced, even partly, be communicated to a third party or used for any possible purpose without ORAC's express written permission. |   |   | <b>Rev:</b>   |   |