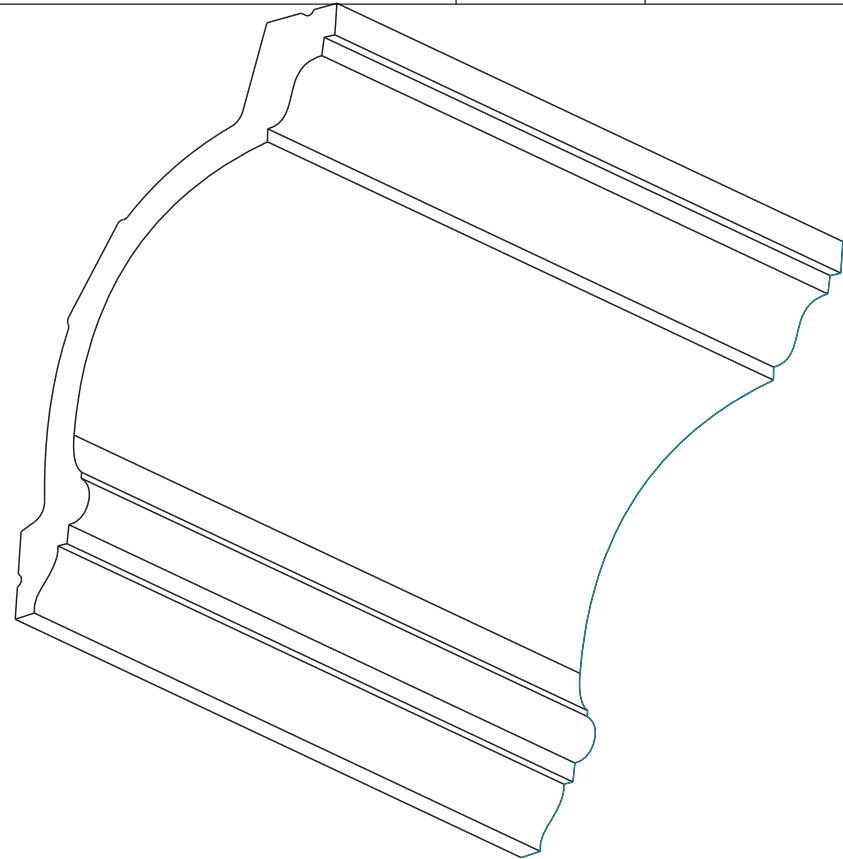
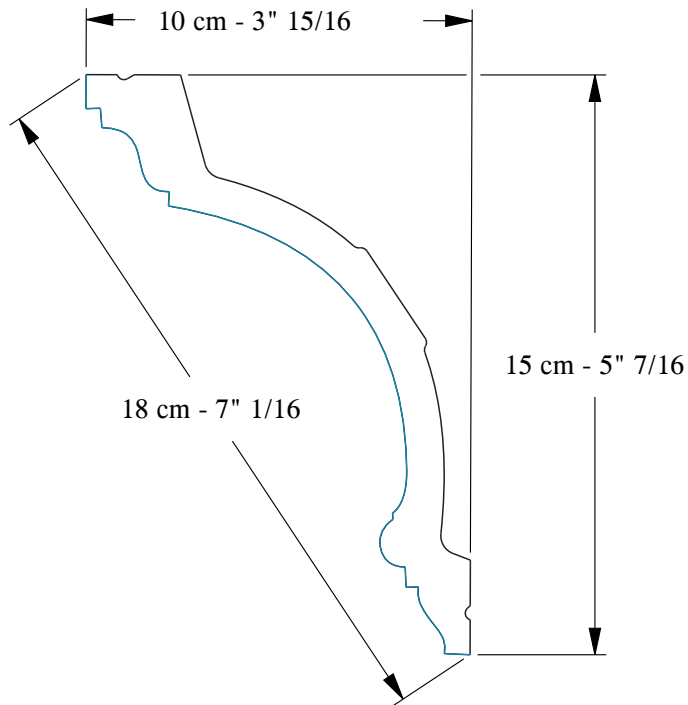


REV.	MODIFICATION	DATE	DRAWN BY	RELEASE DATE
-	-	-	-	-



Density :	----	kg /dm <sup>3</sup>
Volume :	2,354	dm <sup>3</sup> /m
Weight :	----	kg /m
Paint surf :	22,047	dm <sup>2</sup> /m

<p><b>Orac n.v.</b>          Biekorfstraat 32          8400 Oostende - Belgium          Tel +32 (0)59 80 32 52          Fax +32 (0)59 80 28 10          www.oracdecor.com</p> <p>All information in this document is Orac's exclusive property. It may in no case be reproduced, even partly, be communicated to a third party or used for any possible purpose without Orac's express written permission.</p>	ROHS PARTS MUST BE COMPLIANT TO ROHS REGULATIONS. IF ANY NOTIFICATION ON DRAWING IS IN CONTRADICTION WITH ROHS REGULATIONS, CONTACT ORAC BEFORE DELIVERY !	All dimensions are in mm unless otherwise specified	Normal tolerances according to:	Material: Remarks:	Printed on: 25-Sep-2013
		Format: A4 - Pro-Engineer Scale: 1:2 - Sheet: 1 of 1	Dens: ---- kg/dm <sup>3</sup> Mass: ---- kg	Volume: 2,354 dm <sup>3</sup> Painted: dm <sup>2</sup>	Description: <p style="text-align: center; font-size: 1.5em;"><b>C217</b></p>
		Drawn by : D. Vandebuerie Drawn date: 10-Jun-2008			
		EUROPEAN PROJECTION	Drawing name: <p style="text-align: center; font-size: 1.2em;"><b>C217 PROD CM</b></p>	Rev:	