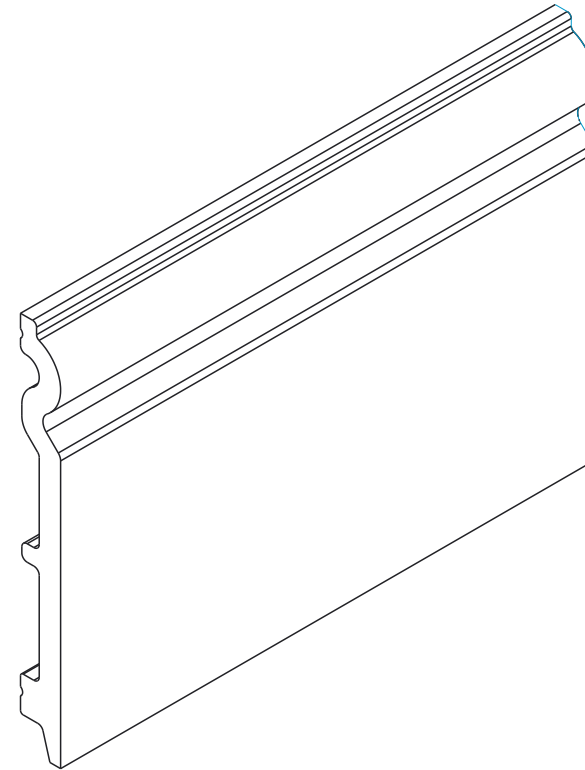
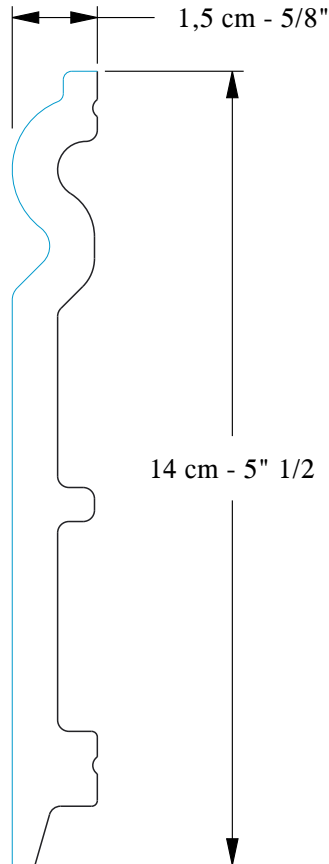


REV.	MODIFICATION	DATE	DRAWN BY	RELEASE DATE
-	-	-	-	-



SCALE 1:2

Density :	----	kg /dm ³
Volume :	1,278	dm ³ /m
Weight :	----	kg /m
Paint surf :	15,758	dm ² /m

<p>Orac n.v. Biekorfstraat 32 8400 Oostende - Belgium Tel +32 (0)59 80 32 52 Fax +32 (0)59 80 28 10 www.oracdecor.com</p> <p>All information in this document is Orac's exclusive property. It may in no case be reproduced, even partly, be communicated to a third party or used for any possible purpose without Orac's express written permission.</p>	<p>ROHS PARTS MUST BE COMPLIANT TO ROHS REGULATIONS. IF ANY NOTIFICATION ON DRAWING IS IN CONTRADICTION WITH ROHS REGULATIONS, CONTACT ORAC BEFORE DELIVERY!</p>	<p>All dimensions are in mm unless otherwise specified</p>	<p>Normal tolerances according to:</p>	<p>Material: Remarks:</p>	<p>Printed on: 26-Sep-2013</p>	
		<p>Format: A4 - Pro-Engineer Scale: 3:4 - Sheet: 1 of 1</p>	<p>Dens: ---- kg/dm³ Mass: ---- kg</p>	<p>Volume: 1,278 dm³ Painted: dm²</p>	<p>Description:</p>	
		<p>Drawn by : D. Vandebuerie Drawn date: 13-Jun-2008</p>	<p>SX138</p>			<p>Rev:</p>
		<p>EUROPEAN PROJECTION</p>	<p>Drawing name: SX138 PROD CM</p>			