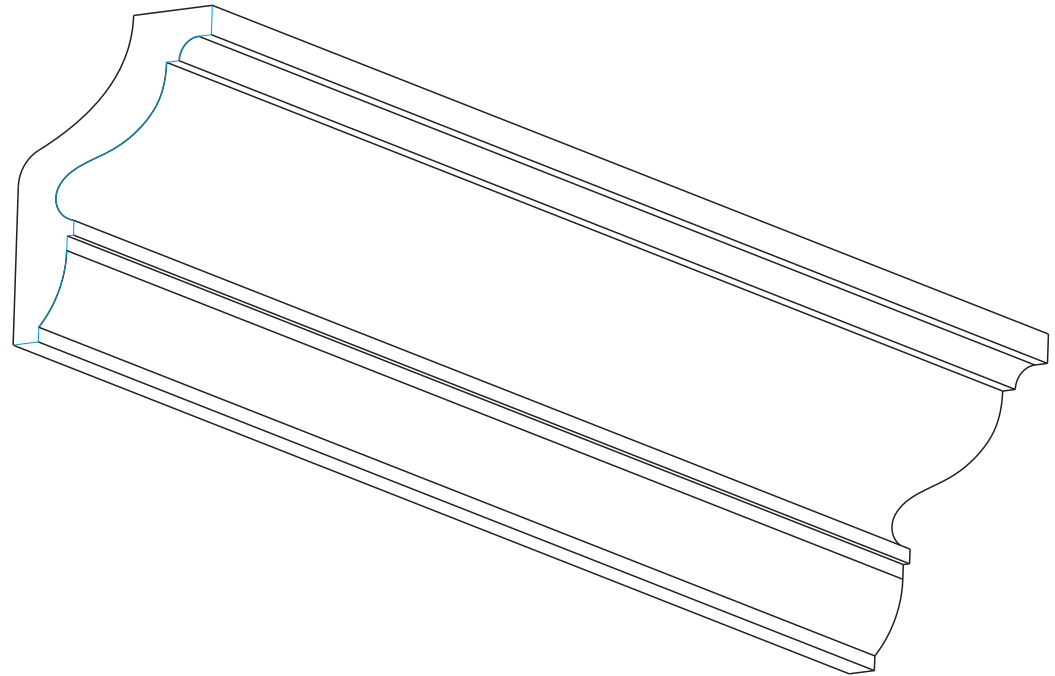
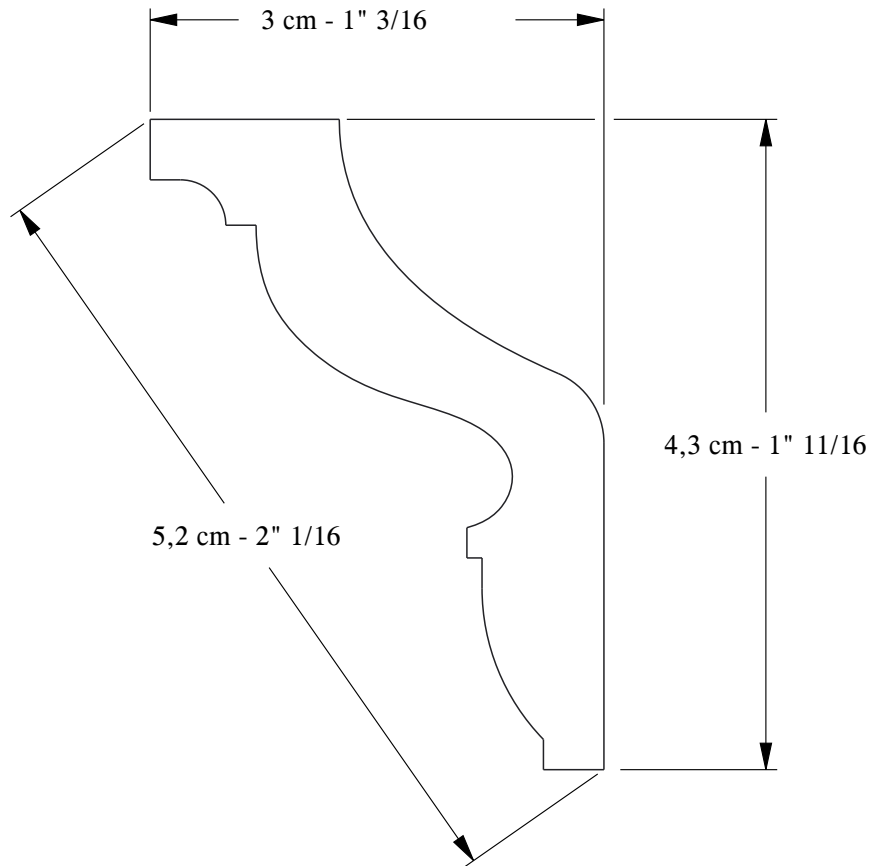


REV.	MODIFICATION	DATE	DRAWN BY	RELEASE DATE
-	-	-	-	-



SCALE 1:1

Density :	----	kg /dm ³
Volume :	0,381	dm ³ /m
Weight :	----	kg /m
Paint surf :	6,546	dm ² /m

<p>Orac n.v. Biekorfstraat 32 8400 Oostende - Belgium Tel +32 (0)59 80 32 52 Fax +32 (0)59 80 28 10 www.oracdecor.com</p> <p>All information in this document is Orac's exclusive property. It may in no case be reproduced, even partly, be communicated to a third party or used for any possible purpose without Orac's express written permission.</p>	ROHS PARTS MUST BE COMPLIANT TO ROHS REGULATIONS. IF ANY NOTIFICATION ON DRAWING IS IN CONTRADICTION WITH ROHS REGULATIONS, CONTACT ORAC BEFORE DELIVERY !	All dimensions are in mm unless otherwise specified	Normal tolerances according to:	Material: Remarks:	Printed on: 26-Sep-2013	
		Format: A4 - Pro-Engineer Scale: 2:1 - Sheet: 1 of 1	Drawn by : D. Vandebuerie Drawn date: 12-Jun-2008	Dens: ---- kg/dm ³ Mass: ---- kg	Volume: 0,381 dm ³ Painted: dm ²	Description: <p style="text-align: center;">CX148</p>
		Drawing name: <p style="text-align: center;">CX148 PROD CM</p>	Rev:			
		<p style="text-align: center;">EUROPEAN PROJECTION</p>				