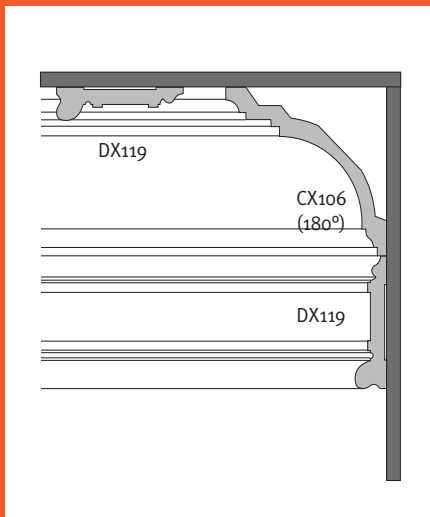




# THE ORAC USER MANUAL



THE ORIGINAL

## 2.2 ORAC mitre boxes



FB13



FB300

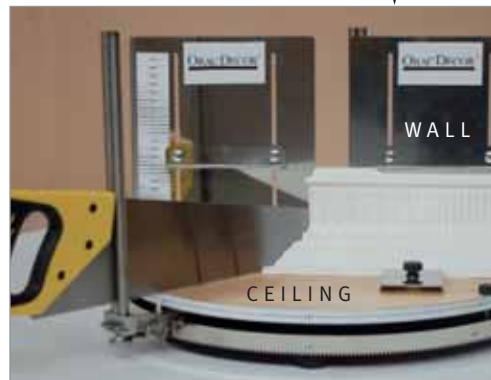
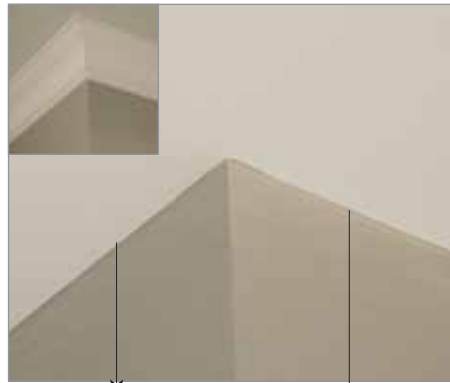
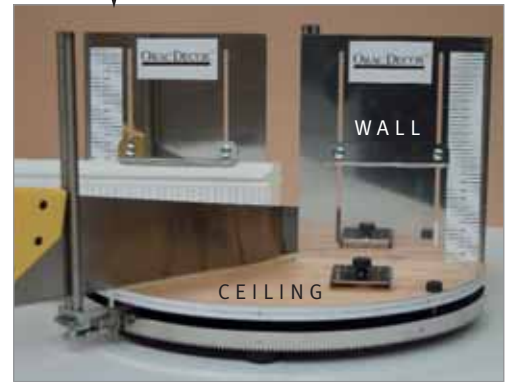


FB10



FB14

## 2.3 mitring corners



## 2.5 examples & ideas

