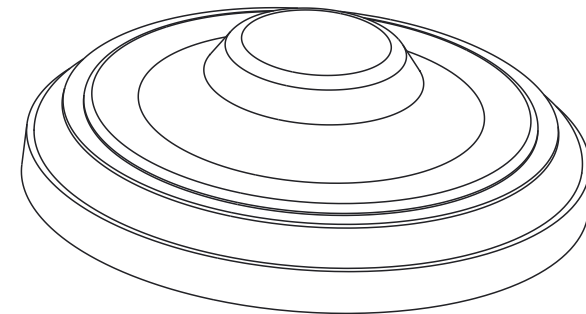


SECTION A-A



Please beware: Product is visualized in this drawing without ornamentation

— ROHS — Parts must be compliant to rohs regulations. If any modification on drawing is in contradicim with ROHS regulations, contact Orac before delivery!	<h2 style="margin: 0;">Orac</h2> <p style="margin: 0;">Biekorfstraat 32 8400 Oostende - Belgium Tel +32 (0)59 80 32 52 Fax +32 (0)59 80 28 10 www.oracdecor.com</p>	All dimensions are in mm unless otherwise specified	<b>Part name: R10-PROD-MM</b> Part description:		
	<b>Drawing properties</b> Drawn with: Creo 2.0 Page size: A4 Page scale: 1:2 Sheet nr: 1 / 1 Projection:		<b>Material: PUROTOUCH</b> Remarks:		
	All information in this document is Orac's exclusive property. It may in no case be reproduced, even partly, be communicated to a third party or used for any possible purpose without ORAC's express written permission.		Drawn by: Anton Smolko Drawn on: 04-Aug-2014	Painted Surface : 2,8 dm <sup>2</sup>	
	Rev:				