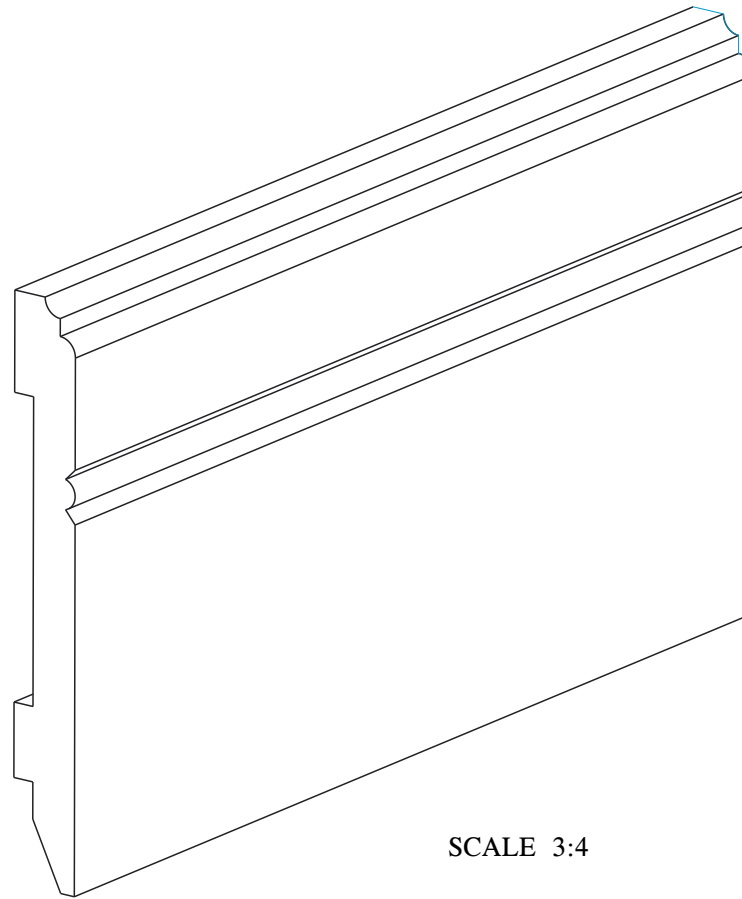
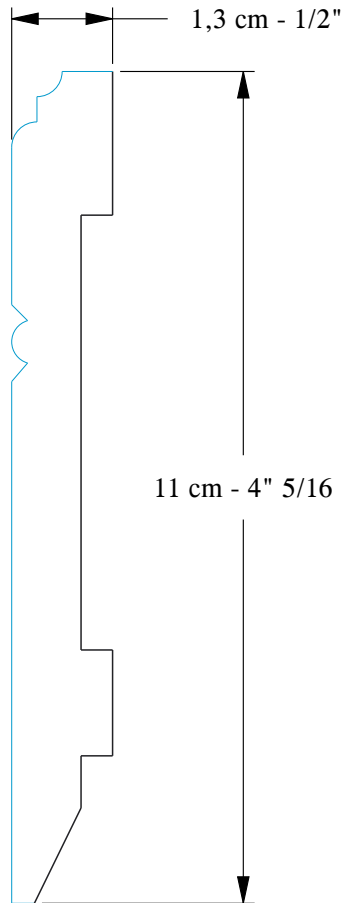


REV.	MODIFICATION	DATE	DRAWN BY	RELEASE DATE
-	-	-	-	-



SCALE 3:4

Density :	----	kg /dm <sup>3</sup>
Volume :	1,066	dm <sup>3</sup> /m
Weight :	----	kg /m
Paint surf :	12,703	dm <sup>2</sup> /m

<p><b>Orac n.v.</b>          Biekorfstraat 32          8400 Oostende - Belgium          Tel +32 (0)59 80 32 52          Fax +32 (0)59 80 28 10          www.oracdecor.com</p> <p>All information in this document is Orac's exclusive property. It may in no case be reproduced, even partly, be communicated to a third party or used for any possible purpose without Orac's express written permission.</p>	<small>ROHS          PARTS MUST BE COMPLIANT TO ROHS REGULATIONS. IF ANY NOTIFICATION ON DRAWING IS IN CONTRADICTION WITH ROHS REGULATIONS, CONTACT ORAC BEFORE DELIVERY!</small>	All dimensions are in mm unless otherwise specified	Normal tolerances according to:	Material: EXTRUSIE-LIJST Remarks:	Printed on: 26-Sep-2013
		Format: A4 - Pro-Engineer Scale: 1:1 - Sheet: 1 of 1	Density: ---- kg/dm <sup>3</sup> Mass: ---- kg	Volume: 1,066 dm <sup>3</sup> Painted: dm <sup>2</sup>	Description: <p style="text-align: center;"><b>SX105</b></p>
		Drawn by : D. Vandebuerie Drawn date: 13-Jun-2008	Drawing name: <p style="text-align: center;"><b>SX105 PROD CM</b></p>		
		