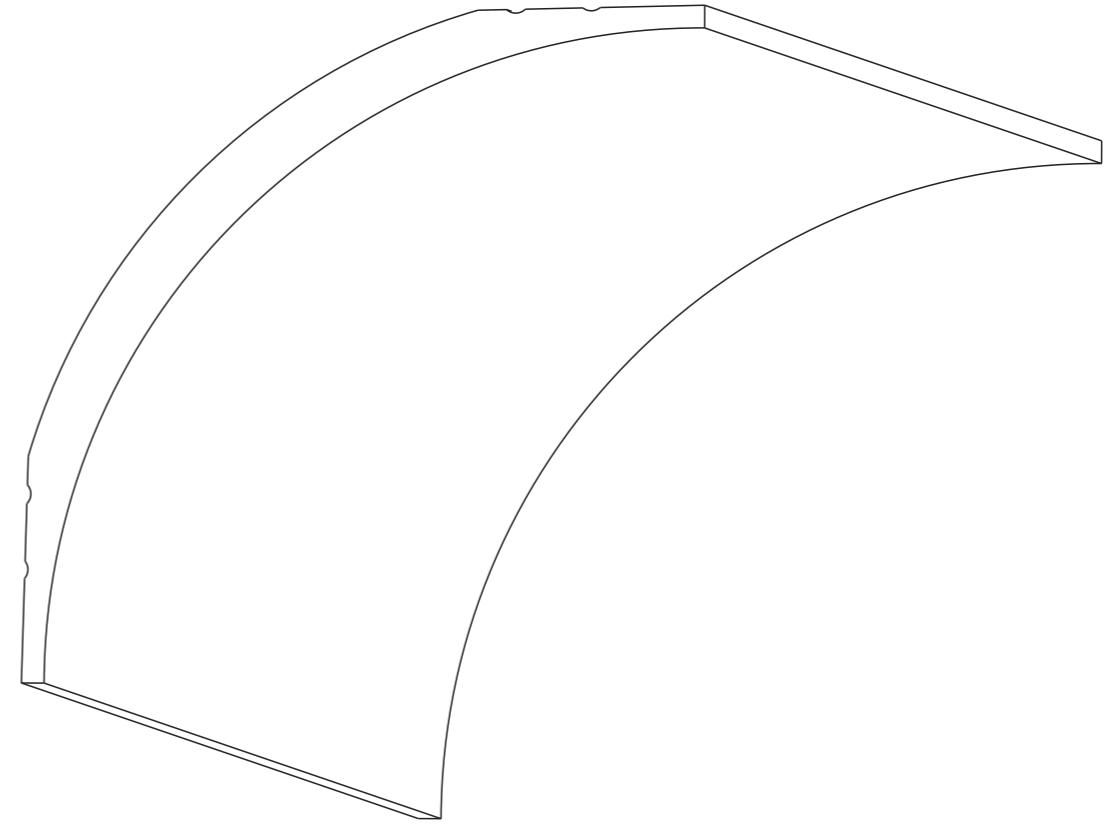
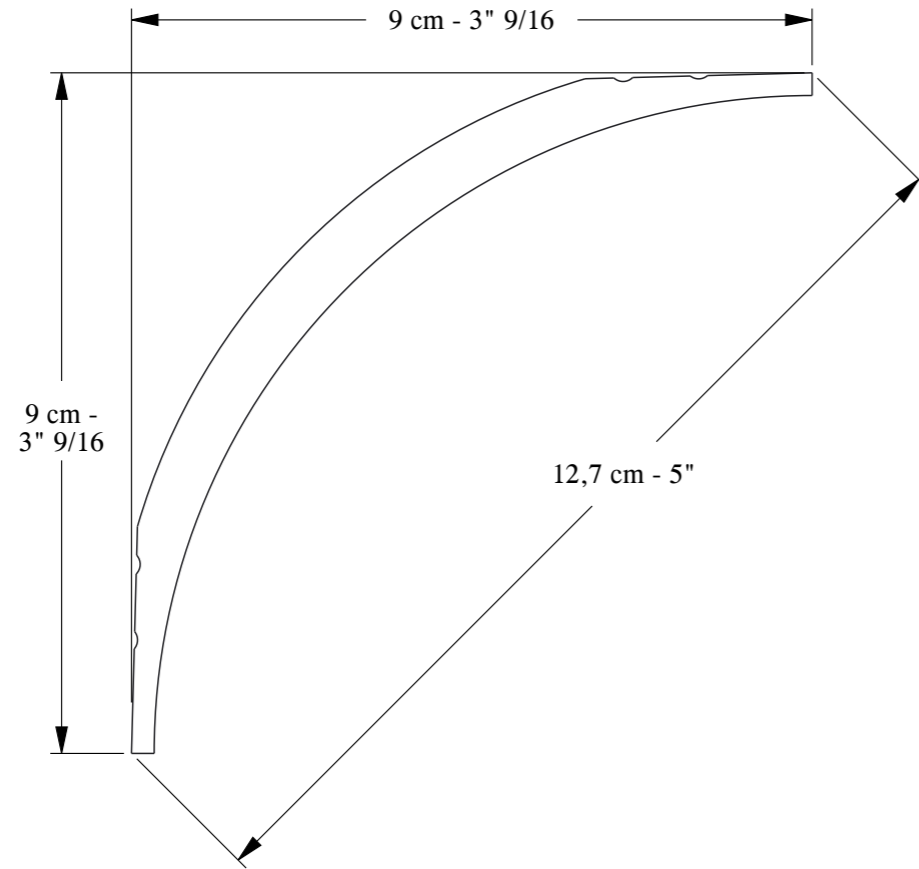


REV.	MODIFICATION	DATE	DRAWN BY	RELEASE DATE
-	-	-	-	-



Orac n.v.

Biekorfstraat 32
8400 Oostende - Belgium
Tel +32 (0)59 80 32 52
Fax +32 (0)59 80 28 10
www.oracdecor.com

All information in this document is Orac's exclusive property. It may in no case be reproduced, even partly, be communicated to a third party or used for any possible purpose without Orac's express written permission.

RoHS
PARTS MUST BE COMPLIANT TO ROHS REGULATIONS. IF ANY NOTIFICATION ON DRAWING IS IN CONTRADICTION WITH ROHS REGULATIONS, CONTACT ORAC BEFORE DELIVERY!

All dimensions are in mm unless otherwise specified

Normal tolerances according to:

Format: A3 - Pro-Engineer
Scale: 1:1 - Sheet: 1 of 1

Drawn by :
D.Vandebuerie
Drawn date: 12-Jun-2008



Drawing name:

CX126 PROD CM

Material: PS
Remarks:

Dens: 1,050 kg/dm³
Mass: 1,867 kg

Volume: 1,779 dm³
Painted: dm²

Description:

CX126 Product (cm)

Printed on:
26-Sep-2013

Rev: